

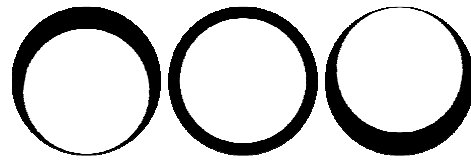
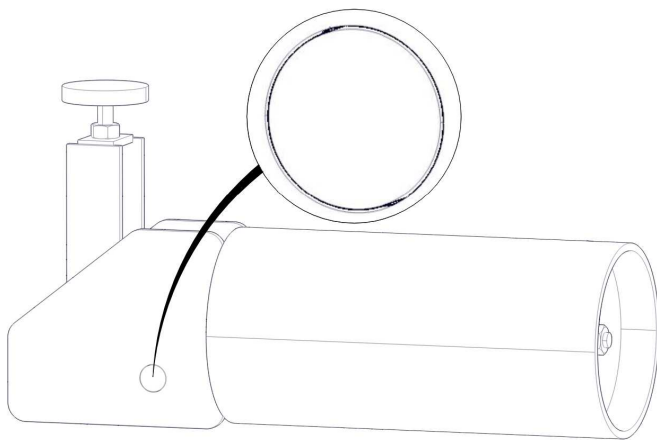


***UNLOCKING GUIDE FOR CONSTANT EFFORT SUPPORTS - TYPE SUPPORT***

# UNLOCKING GUIDE FOR CONSTANT EFFORT SUPPORTS – TYPE SUPPORT

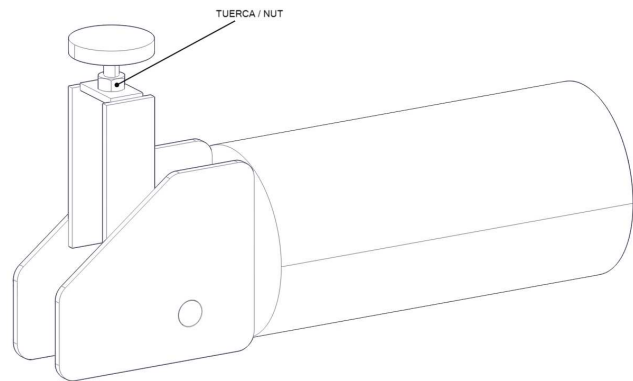
SHEET:  
1

You must follow the following instructions (after the hydraulic test is finished):



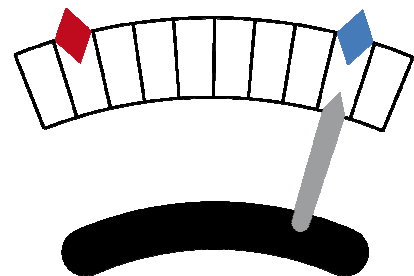
Check the anchor pin. It can be leaning on the bottom face of the hole, on the upper face of the hole, or it can be placed in the middle of the hole.

If it is leaning on the bottom or upper face of the hole, you must use the nut, screwing or unscrewing it, until the anchor pin moves to the middle of the hole.



If you follow these instructions, you will be able to take the anchor pin off easily, using just your hands.

If there are various spring supports in the same pipe line, you must unlock first those that bear the higher load. Once you unlock all the supports, you should check all the indicators, and if it is necessary, adjust them again.



0	09/04/12	INFORMATION	JCC	JMD
REV.	DATE	EDITED FOR	DRAW	CHECK